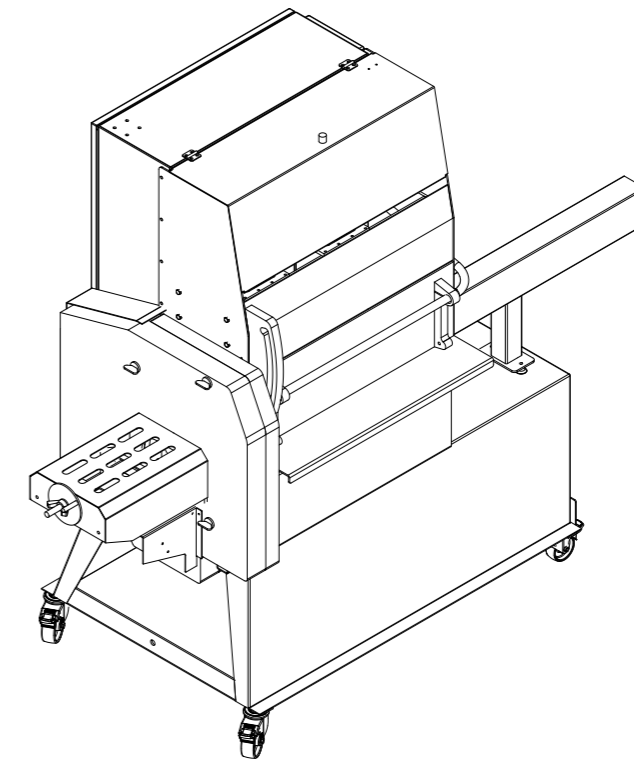
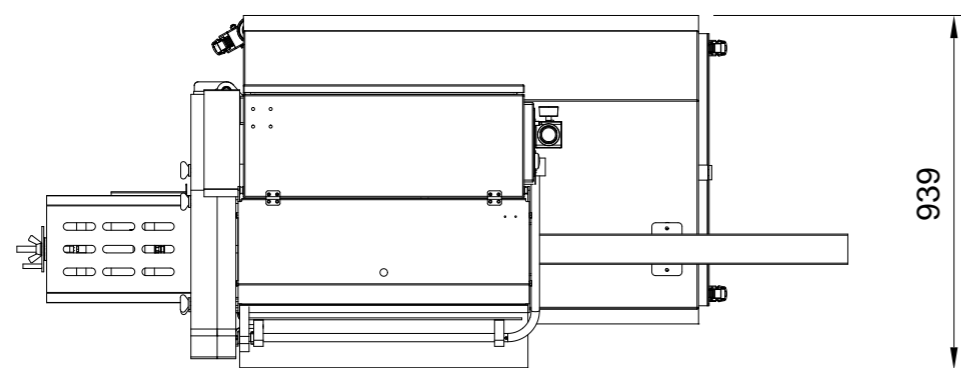
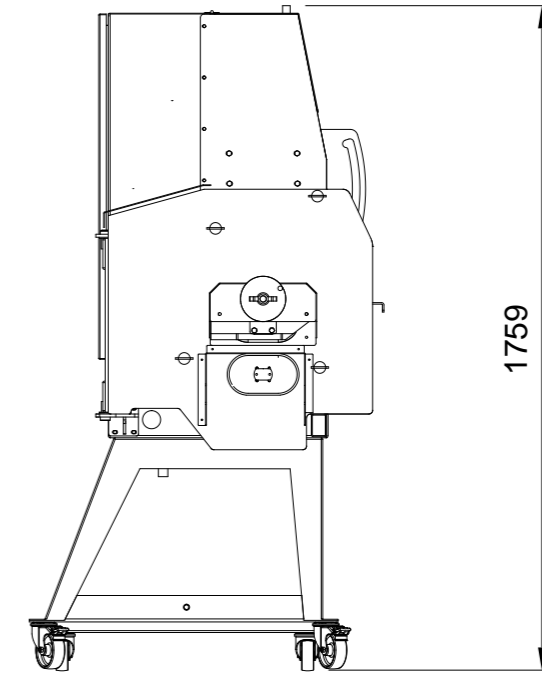
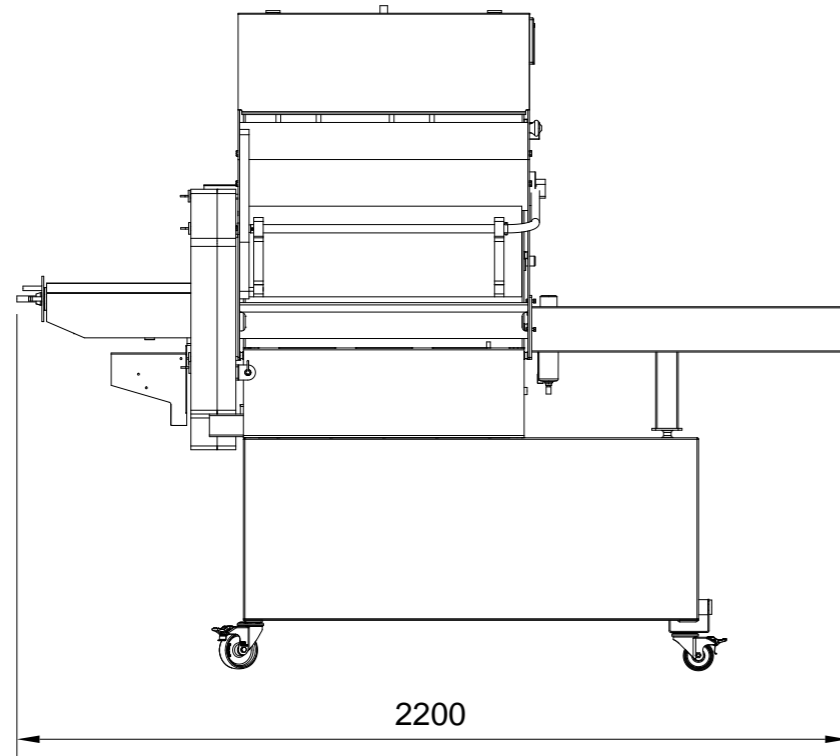


Dimensions in mm.



Technical specifications.

Construction: Stainless steel and food grade plastic.

Control: PLC.

Operation: Pneumatic.

Pressure: 6 bar.

Power: Single phase 220V 0.2 kW.

Weight: 370 kg.

Accu Cut 300

Windjammer Oy

Sorsantie 12, 10960 Hanko, Finland